

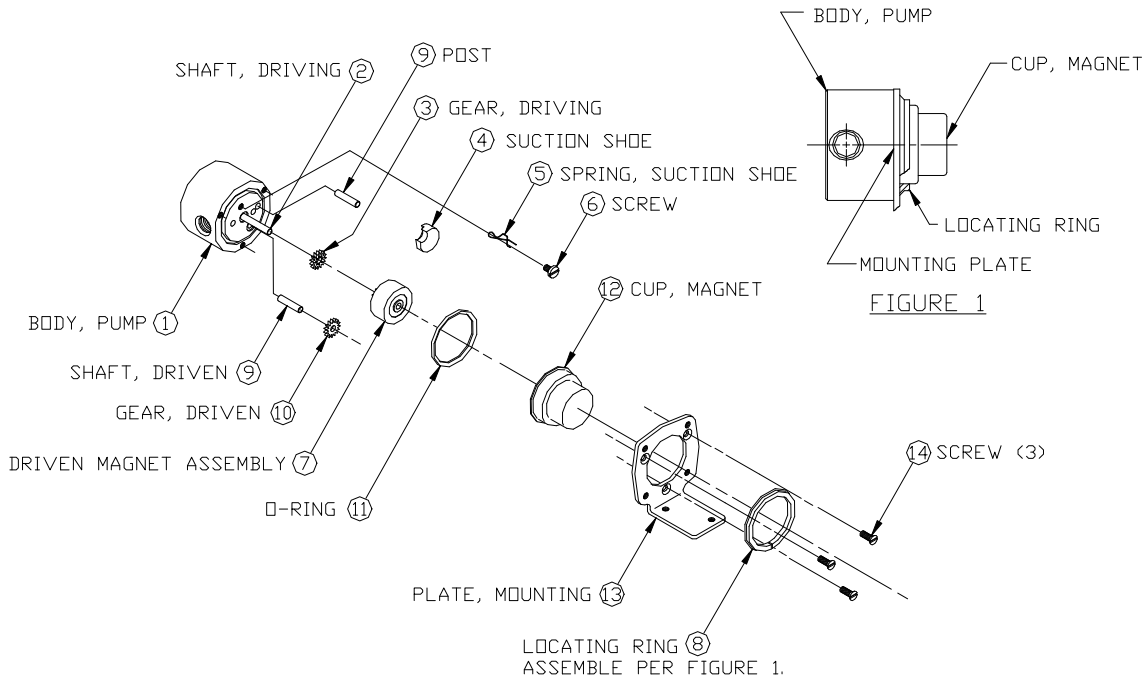


PART NUMBER: L25697

SERVICE INSTRUCTIONS: L25697

REVISION			
LTR.	DESCRIPTION	DATE	BY
A	ORIGINATED PER E15319	6/12/07	SMC

MOD: GA-SERIES WITH C-MOUNT



GENERAL:

1. All service work should be performed in a clean area.
2. Care should be taken to avoid scratching any sealing surfaces or allowing metal chips to come in contact with the driven magnet assembly.
3. An even, light coat of high vacuum silicone grease (Dow Corning or equivalent) should be applied to all seals or O-Rings.
4. O-Rings with chamfers should always be installed with the chamfer up, away from the groove.
5. All assembly screws should be tightened evenly and in an alternating pattern.
6. Only Micropump factory authorized replacement parts should be used when servicing any Micropump product.

SPECIFIC:

1. Do not attempt to remove Driving Gear Shaft (2) from Pump Body (1). The Shaft (2) position is preset at the factory. (If replacement of shaft is necessary, pump must be returned to the factory for repair.)
2. After installing the Suction Shoe (4), locate the Suction Shoe Spring (5) so that it holds the Suction Shoe in place. Then locate the Screw (6) through the Spring, into the Pump Body (1) (as shown) and tighten the Screw (6).
3. Engage drive pins on the Driven Magnet (7) with Driving Gear (3). Gears and Magnet should rotate freely.
4. Complete assembly as shown above.

MICROPUMP, INC.

A Unit of IDEX Corporation

PO Box 8975, Vancouver, WA 98668-8975 • Phone: 360/253-2008 • Fax: 360/253-8294

MICROPUMP LIMITED

A Subsidiary of Micropump, Inc.

Howard Road, Eaton Socon, St. Neots, Cambridgeshire, PE 19 8ET England, • Phone: (44) (0) 1480-356600 • Fax: (44) (0) 1480-356300